

THE
GRYPHON



THE GRYPHON APEX POWER AMPLIFIER

UNPACKING AND SET-UP
INSTRUCTIONS

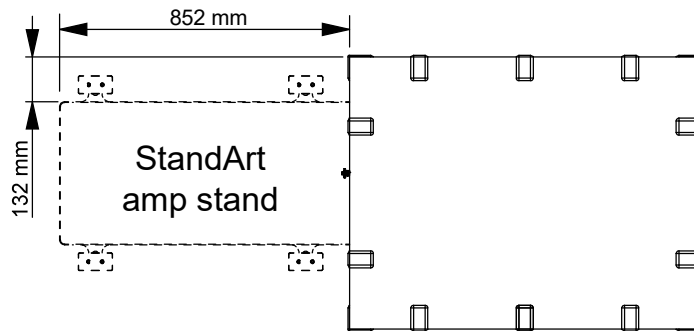
CAUTION - VERY HEAVY!
200+ kg / 441+ lb

Min. 2 persons for
unpacking and set-up

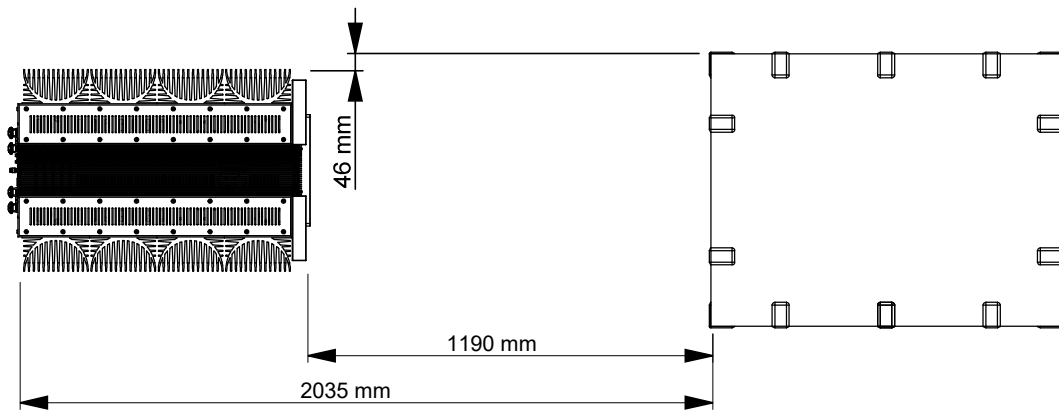
Please read these instructions first!

POSITIONING OF CRATE FOR DESIRED LOCATION

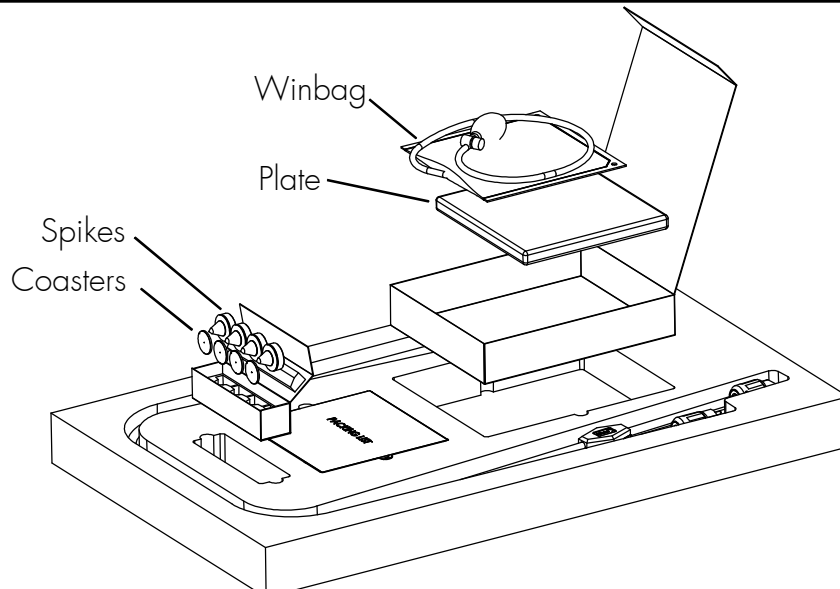
Placing on StandArt Amp Stand, page 3+4+5



Placing on the floor, page 3+6+7

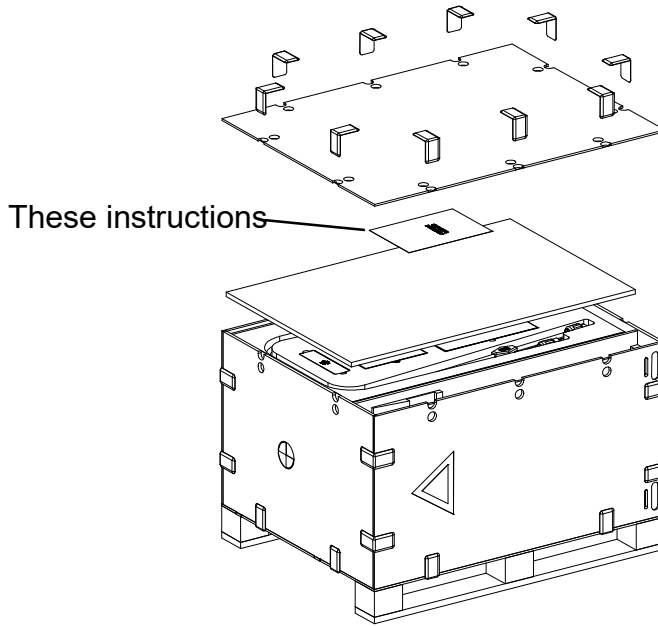


ACCESSORIES

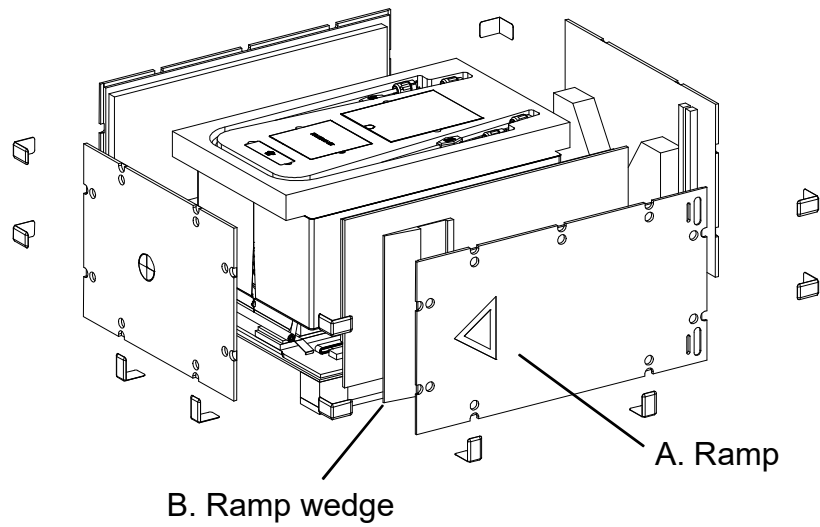


UNPACKING

1.

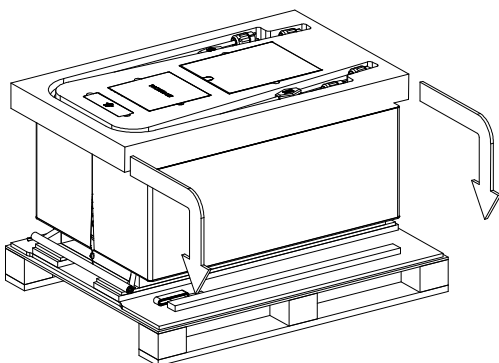


2.



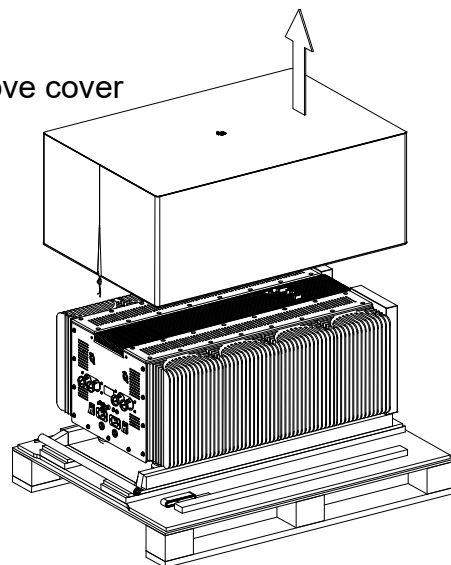
3.

Remove foam with accessories



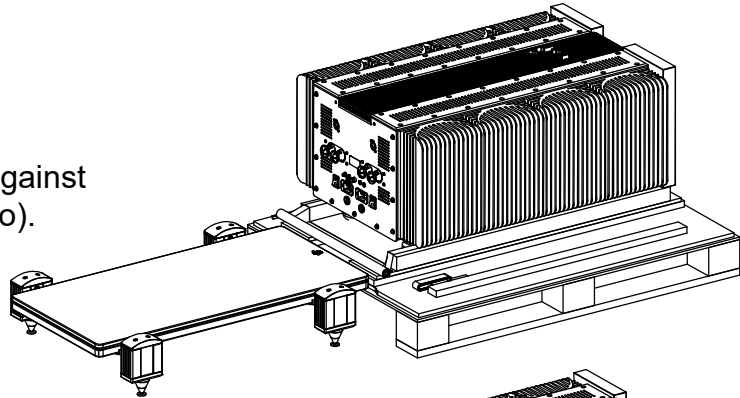
4.

Remove cover

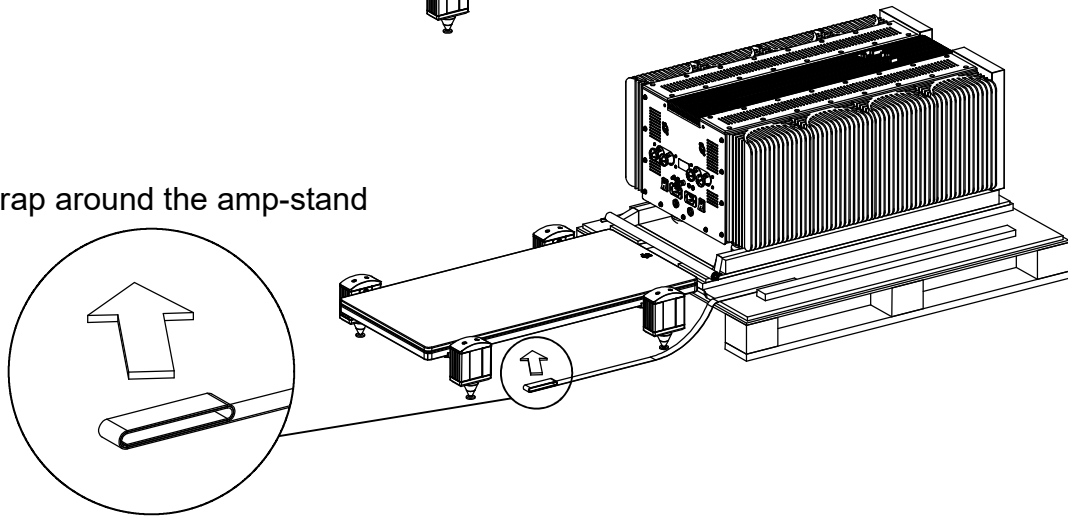


PLACING AMP ON STANDART AMP STAND

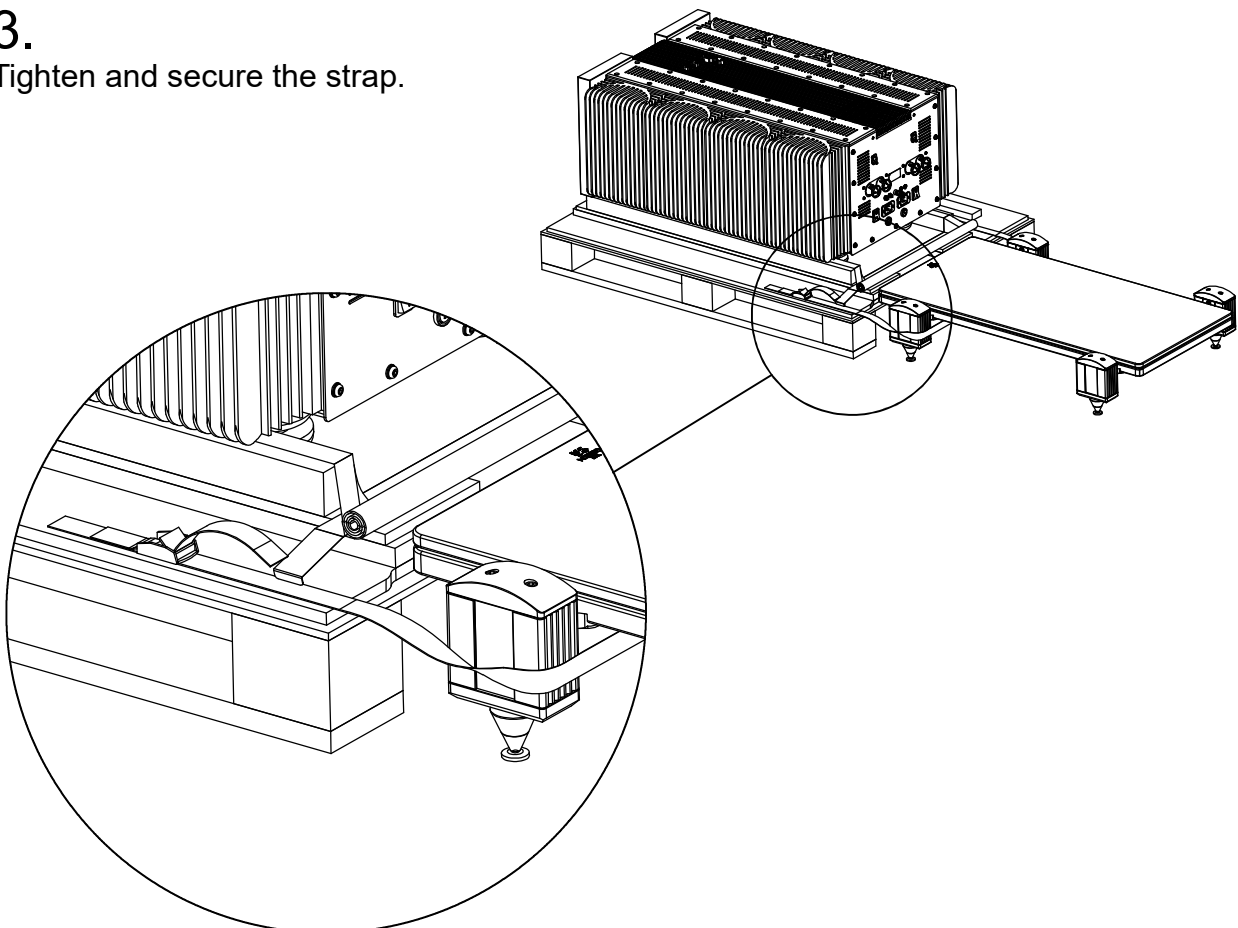
1. Position the pallet with the amp against the amp-stand front (end with logo).



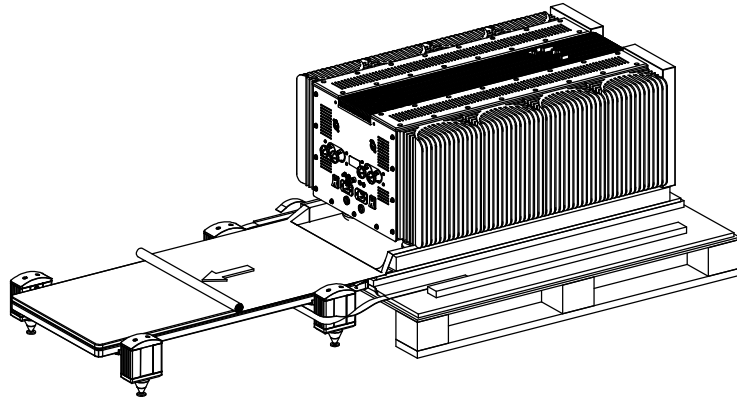
2. Wrap the strap around the amp-stand front legs.



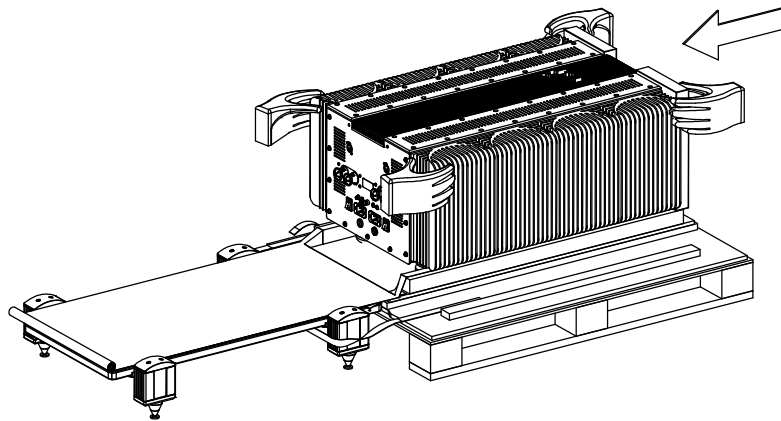
3. Tighten and secure the strap.



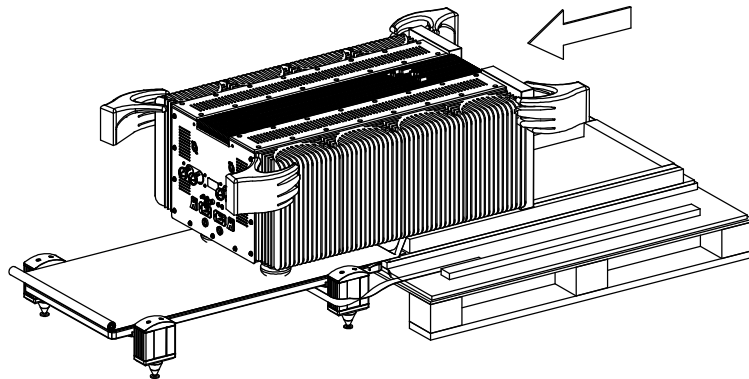
4.
Roll out the sliding-sheet.



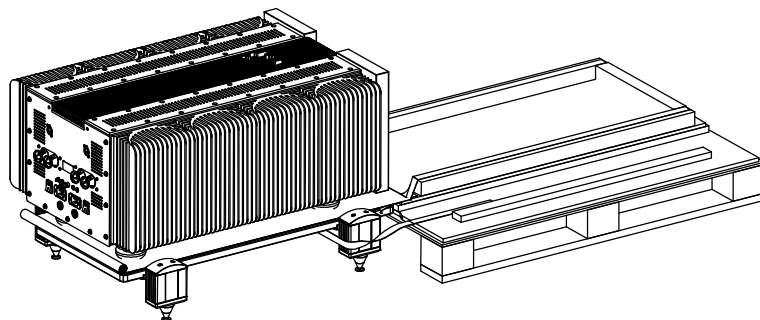
5.
Slide the amp over.
2 persons minimum!



6.

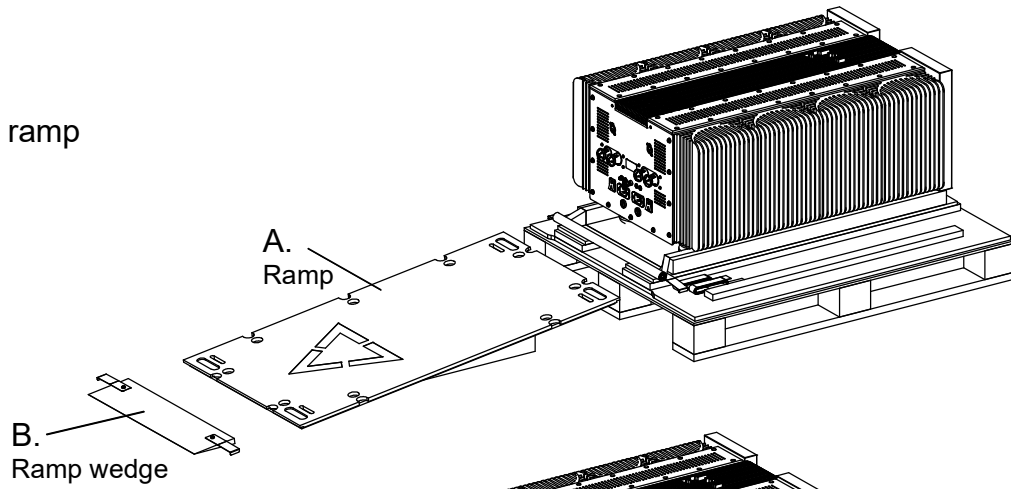


7.
The Apex has landed.
Continue on page 8.

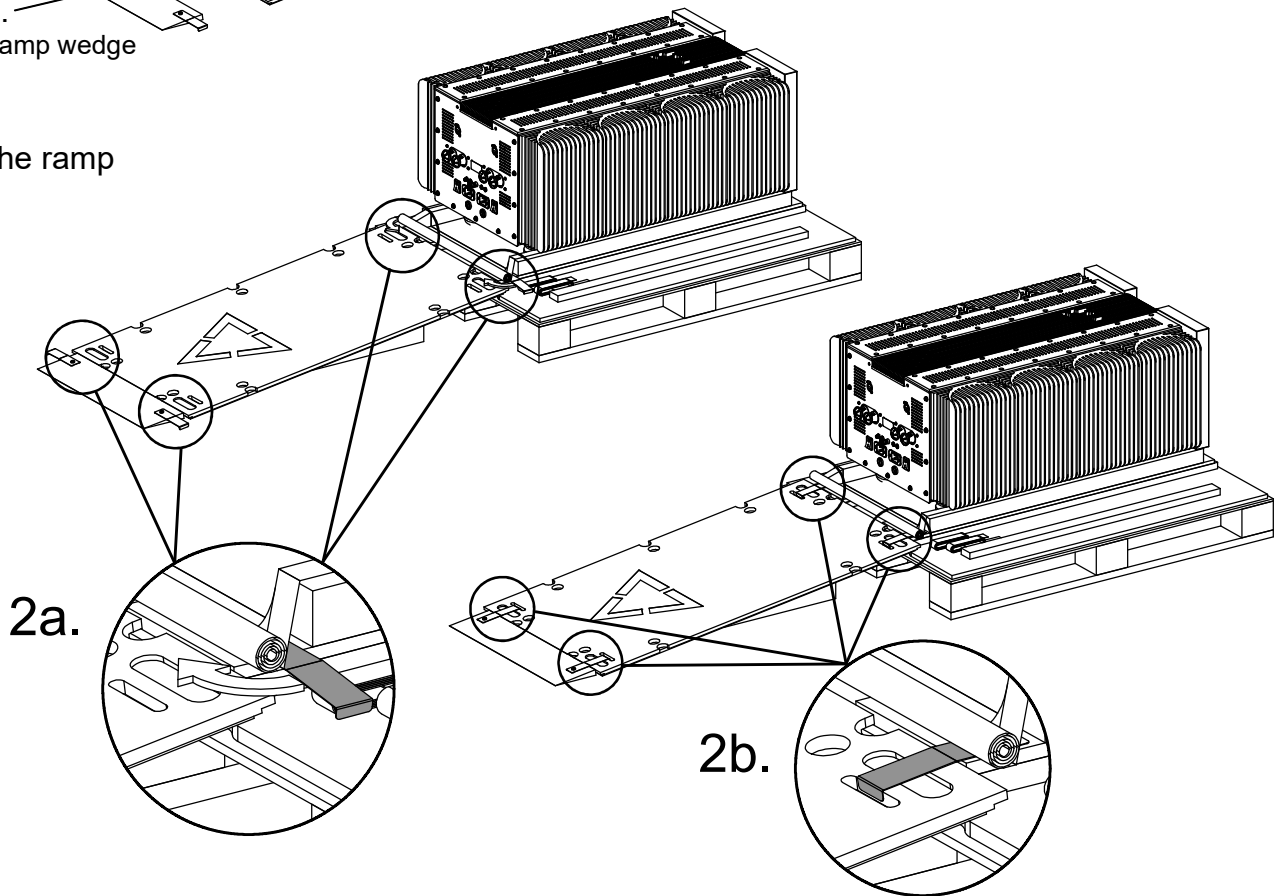


PLACING ON FLOOR

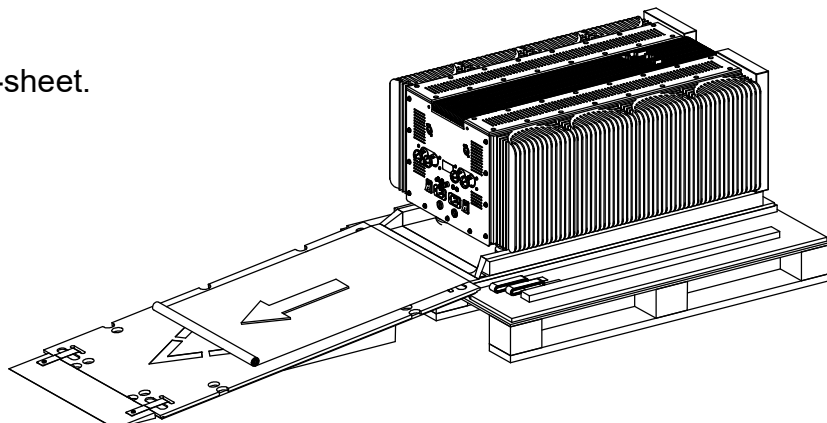
1.
Fit the ramp



2.
Secure the ramp

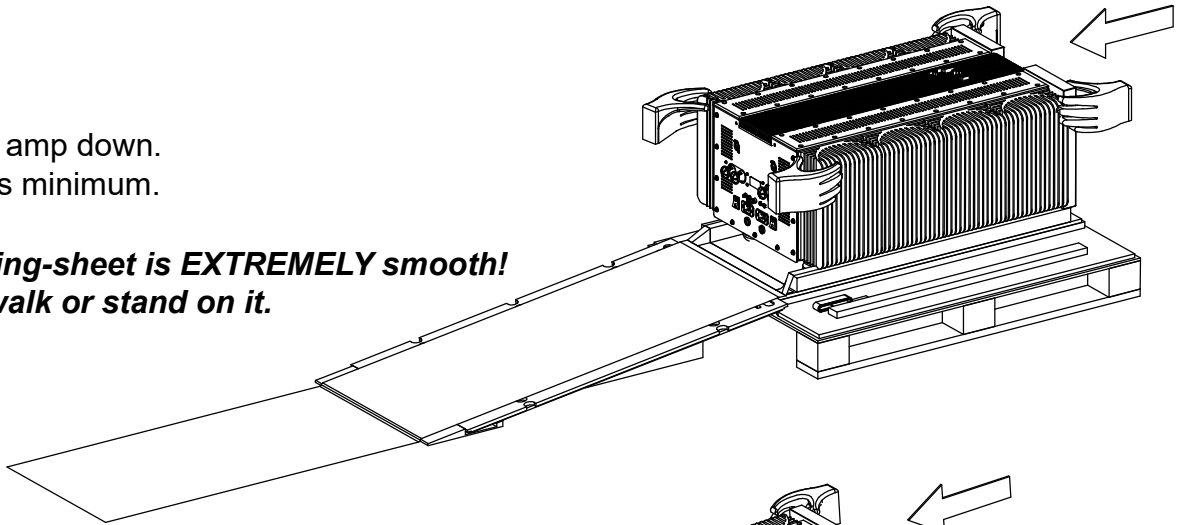


3.
Roll out the sliding-sheet.

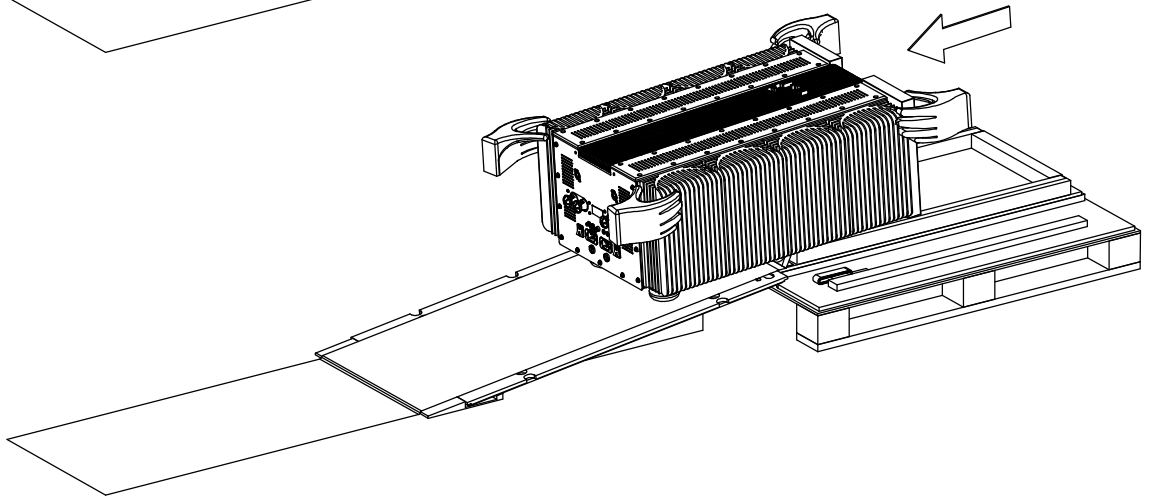


4.
Slide the amp down.
2 persons minimum.

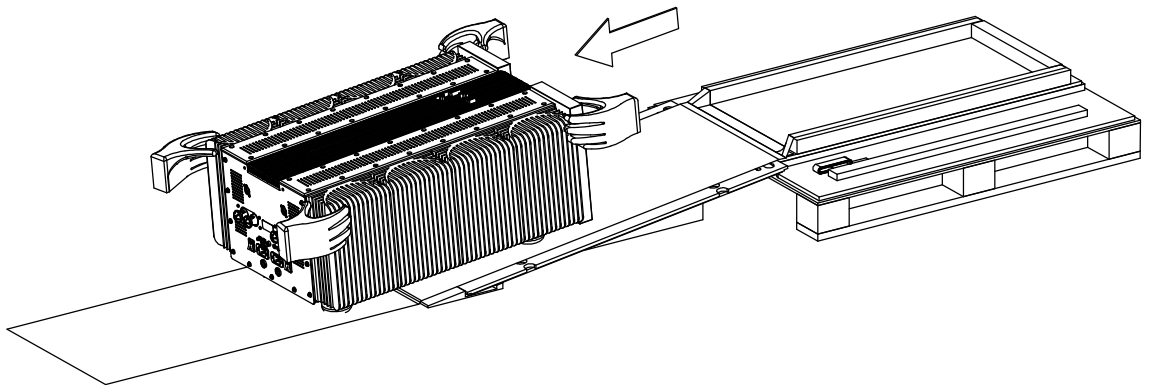
***The sliding-sheet is EXTREMELY smooth!
Do not walk or stand on it.***



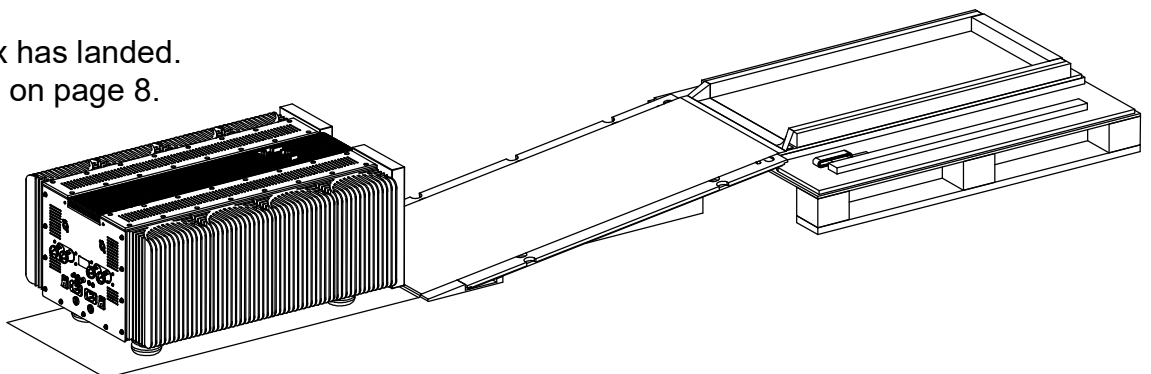
- 5.



- 6.

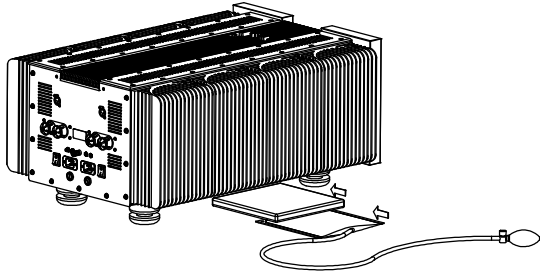


7.
The Apex has landed.
Continue on page 8.

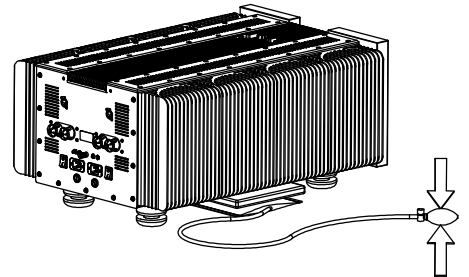


REMOVAL OF TRANSPORT-FEET AND FITTING SPIKES (OPTIONAL)

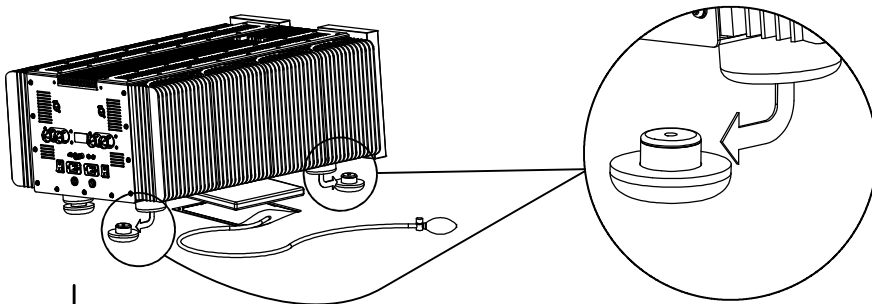
1.
Place winbag and plate below the side of the amp.
Do not use the winbag without protective plate.



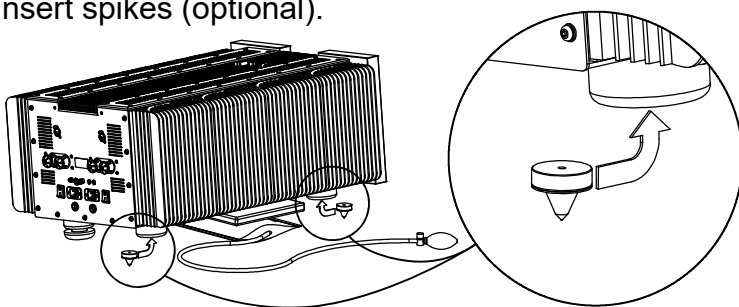
2.
Inflate the winbag.



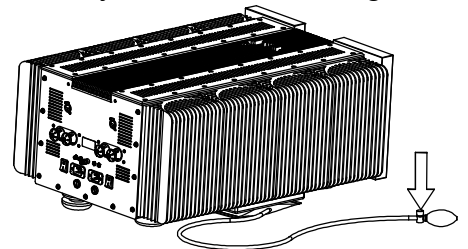
3.
Remove sliding-sheet and shock absorbing feet.



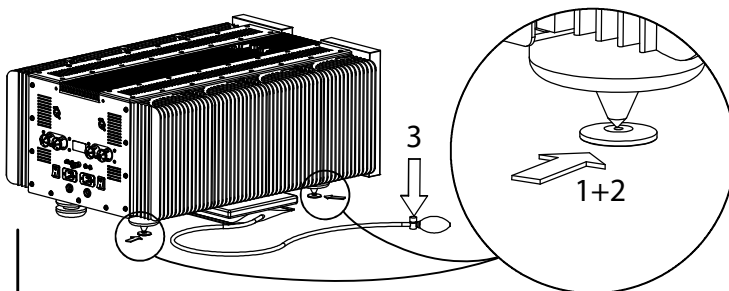
4A.
Insert spikes (optional).



4B.
Without spikes.
Carefully deflate the winbag.



Position coasters (optional).
Carefully deflate the winbag.



5. Repeat 1-4 for the other side of the amp.